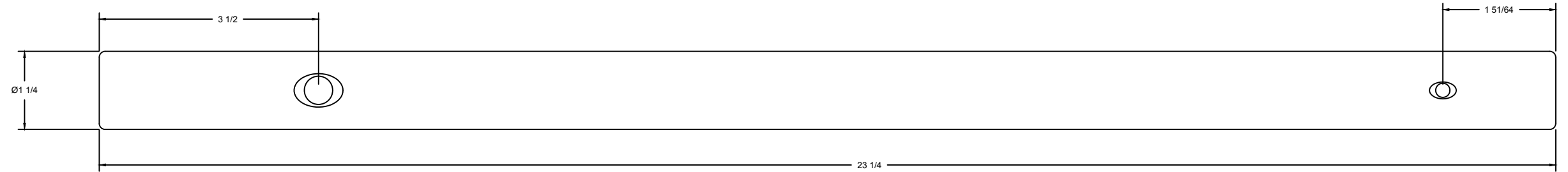
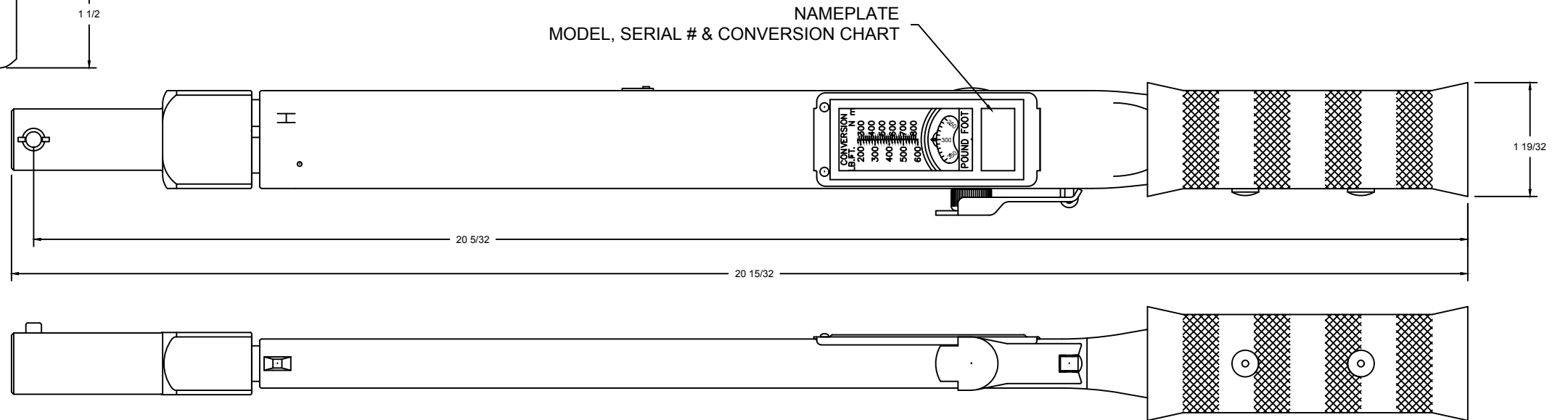
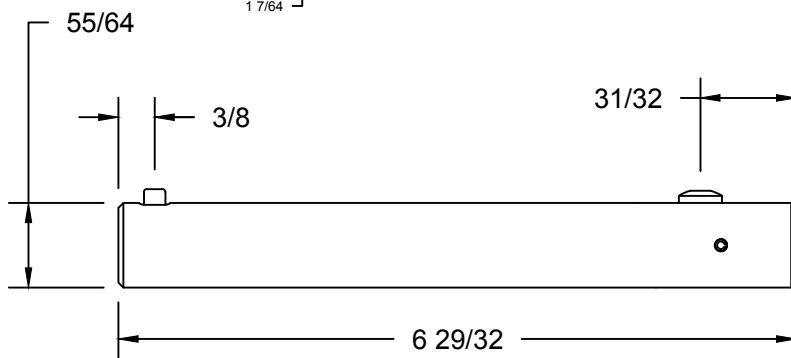
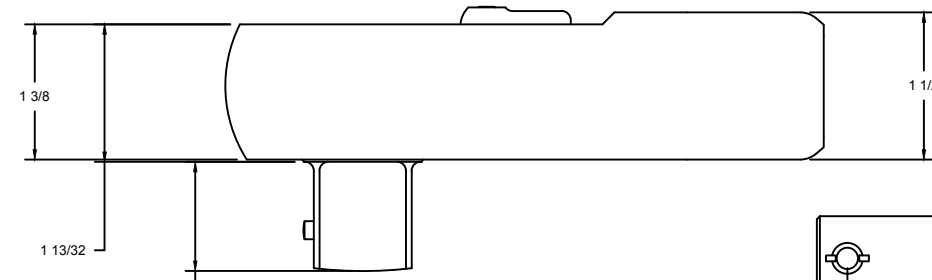
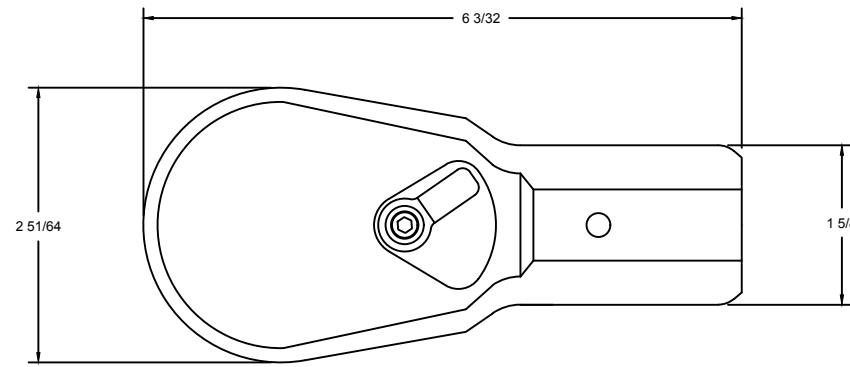


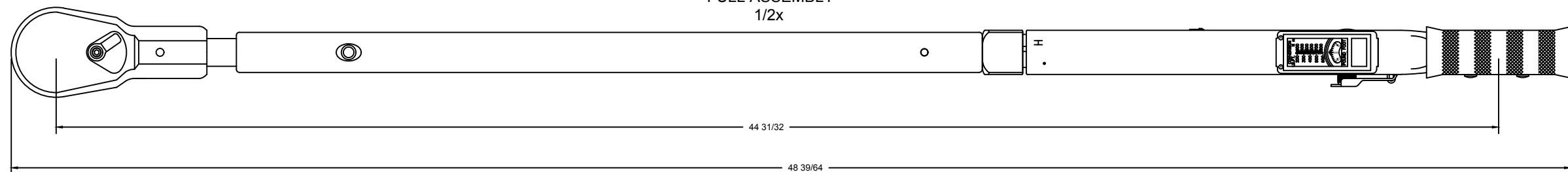
# MODELS

PART NUMBER	DRIVE SIZE	DRIVE TYPE	CAPACITY	GRADUATION STEPS	PATENTS
C5D600F	1"	FIXED RATCHET	200-600 LB.FT.	10 LB.FT.	PATENTS PENDING

NOTE: \* Accuracy of all 1" sq. dr. "C" style wrenches is +/-4% from 20% of full scale to full scale, in vertical orientation. Any other orientation accuracy is +/-5% from 20% of full scale to full scale.  
 Finish: Nickel/Chrome.  
 Meets or Exceeds the following Specifications: GGG-W-686C, ANSI B107.14M



FULL ASSEMBLY  
1/2x



THE DATA, DRAWINGS, AND INFORMATION CONTAINED ON THIS DOCUMENT IS CONFIDENTIAL AND THE SOLE PROPERTY OF PRECISION INSTRUMENTS AND MAYNOT BE REPRODUCED, USED, OR DISCLOSED WITHOUT PRIOR WRITTEN PERMISSION OF AN OFFICER OF PRECISION INSTRUMENTS.

SCALE	DR	APP
_____	L. COOK	.
PKG	DATE	CADD#
CUSTOMER	1/15/16	.



P.O. Box 1306  
 Des Plaines, IL 60016  
 WEB: [www.torqwrench.com](http://www.torqwrench.com)  
 FAX: 847-824-7629  
 OFFICE: (847) 824-8456  
 (866) TWRENCH (897-3624)

## CUSTOMER PRINT

DESCRIPTION	PART NUMBER
ADJUSTABLE CLICK TYPE TORQUE WRENCH	C5D600F SERIES